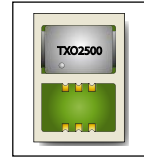


TXO 2500

Oven Controlled Crystal Oscillator



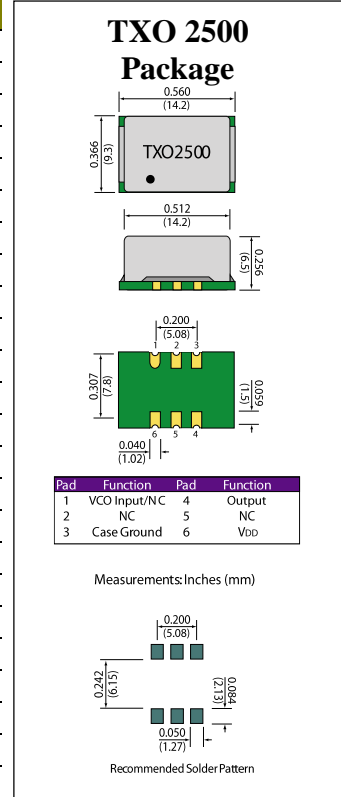
FEATURES:

SC Cut
Metal Can, Thru-Hole

Stratum 3
14.3 x 9.6 x 6.5 mm

Parameter	Unit	Min.	Max.
Frequency ⁽¹⁾	MHz	5	40
Operating Temperature Range	°C	See Table	
Frequency Stability			
at 25°C	ppm	-0.1	0.1
vs. Temp. Range	ppb	See Table	
vs. Voltage	ppb	-5	+5
vs. Warm-up ⁽²⁾	ppm	-0.1	0.1
Aging			
Daily	ppb	-2	+2
Yearly	ppb	-0.4	+0.4
10 Years	ppm	-2	+2
Output			
Voltage	V	3.3 ±5%	
Waveform		HCMOS	
Level	V	1 = 2.4	0 = 0.4
Load	pF	15	
Duty Cycle	%	45	55
Spurious	dBc	-	-60
Input Power			
Current	mA	-	600
Steady State @ 25°C	W	-	0.6
Phase Noise			
@ 20MHz	@ 10 Hz	dBc/Hz	-92
	@ 100 Hz	dBc/Hz	-120
	@ 1 kHz	dBc/Hz	-140
	@ 10 kHz	dBc/Hz	-150

- (1) Typical Frequencies are 10, 12.8, 13, 15.36, 19.2, 20, 25, and 38.88MHz.
- (2) Warm-up in 5 minutes @ 25°C reference to 1 hours



Frequency Stability vs. Temperature Range

Temperature	Stability (ppb)
-20 to +70°C	±20, ±30, ±50
-40 to +85°C	±30, ±50



Example Part Number: TXO2500-A-50-A-27-10M000

